

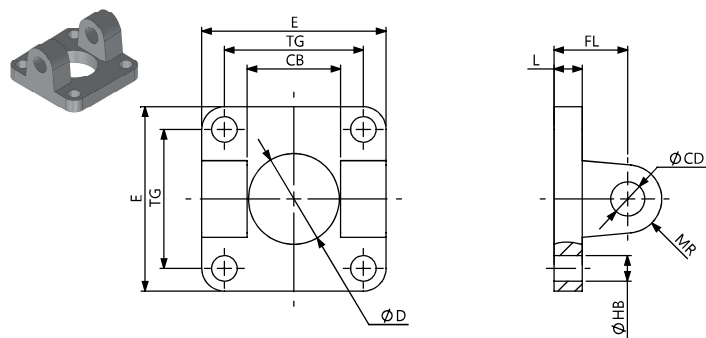
ACCESSORI CNOMO

CNOMO MOUNTING ACCESSORIES

CHIAVE DI CODIFICA / KEY CODE

Tipologia Type	Ø Cilindro Cylinder Ø	Materiale Material	Fornitura Supply condition	Packaging Packaging
OFE	050	S	0	S
OFE Cerniera femmina CNOMO CNOMO female hinge	032 Ø32	A Alluminio Aluminum	0 Solo corpo Only accessory	S Pacchetto singolo Single bag
OMA Cerniera normale CNOMO CNOMO normal hinge	...	S Acciaio Steel	1 Con viti With screws	B Componenti sciolti Bulk
ARO Articolazione a squadra CNOMO CNOMO square joint	200 Ø200		2 Con viti e perno With screws and pin	
PD4 Piedino alto CNOMO CNOMO high pedestral				
FL6 Flangia lamata CNOMO CNOMO spot faced flange				
FL7 Flangia filettata CNOMO CNOMO threaded flange				
PD3 Piedino basso CNOMO CNOMO low-rise pedestral				
PRB Perno per cerniera femmina Pin for female hinge				
CIB Cerniera intermedia fissa CNOMO intermediate hinge				
CIC Cerniera intermedia regolabile CNOMO adjustable int. hinge				

CERNIERA FEMMINA CNOMO CNOMO FEMALE HINGE

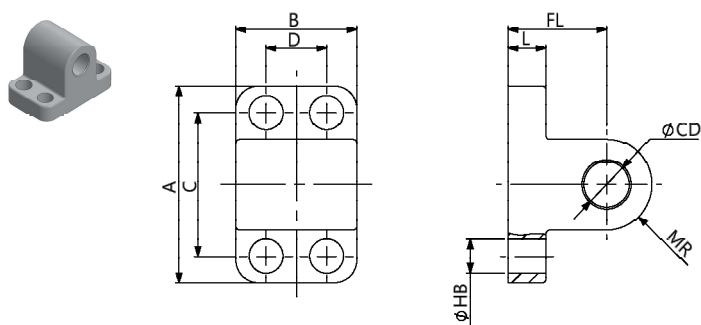


CFE A



Ø	COD	TG	E	ØHB	L	CB	MR	FL	ØCD
32	OFE032A	33	45	7	8	26	8	18	8
40	OFE040A	40	52	7	8	33	12	24	12
50	OFE050A	49	65	9	10	33	12	26	12
63	OFE063A	59	75	9	10	47	16	30	16
80	OFE080A	75	95	11	12	47	16	32	16
100	OFE100A	90	115	11	12	57	20	37	20
125	OFE125A	110	140	14	16	57	21	41	20
160	OFE160A	140	180	18	20	72	25	55	25
200	OFE200A	175	220	18	20	72	25	55	25

CERNIERA NORMALE CNOMO CNOMO NORMAL HINGE



OMA A



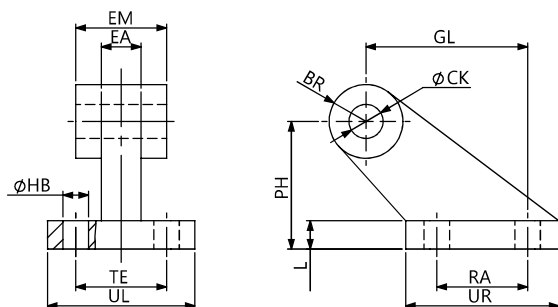
Ø	COD	A	B	C	D	L	ØCD	ØHB	FL
32	OMA032A	40	25	28	-	8	7	7	18
40	OMA040A	52	32	38	16	10	9	9	26
50	OMA050A	52	32	38	16	10	9	9	26
63	OMA063A	75	46	54	25	12	11	11	34
80	OMA080A	75	46	54	25	12	11	11	34
100	OMA100A	115	56	90	32	16	14	14	41
125	OMA125A	115	56	90	32	16	14	14	41
160	OMA160A	180	71	150	43	20	18	18	55
200	OMA200A	180	71	150	43	20	18	18	55

ACCESSORI CNOMO

CNOMO MOUNTING ACCESSORIES

ARTICOLAZIONE A SQUADRA CNOMO

CNOMO SQUARE JOINT



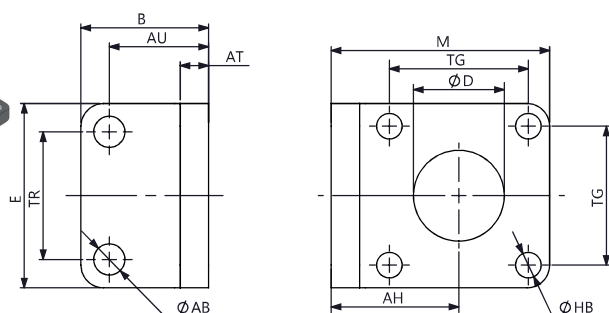
ARO A



Ø	COD	ØHB	RA	UR	L	PH	TE	UL	EA	EM	ØCK
32	ARO032A	7	20	37	8	32	25	41	9	25	8
40	ARO040A	9	32	54	10	45	32	52	14	32	12
50	ARO050A	9	32	54	10	45	32	52	14	32	12
63	ARO063A	11	50	75	13	63	40	63	14	46	16
80	ARO080A	11	50	75	13	63	40	63	14	46	16
100	ARO100A	14	70	103	17	90	50	80	22	56	20
125	ARO125A	14	70	103	17	90	50	80	22	56	20
160	ARO160A	18	110	154	20	140	63	110	26	70	25
200	ARO200A	18	110	154	20	140	63	110	26	70	25

PIEDINO ALTO CNOMO

CNOMO HIGH PEDESTAL

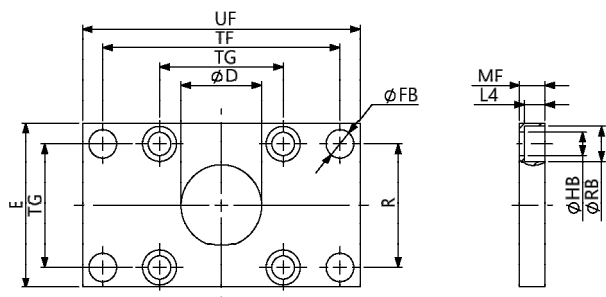


PD4 A



Ø	COD	TG	AT	TR	ØHB	E	M	ØAB	ØD	AU	B
32	PD4032A	33	8	28	7	45	54	9	25	27	35
40	PD4040A	40	8	36	7	52	62	9	32	27	35
50	PD4050A	49	10	45	9	65	77	11	32	35	45
63	PD4063A	59	10	55	9	75	87	11	45	35	45
80	PD4080A	75	12	70	11	95	110	14	45	43	55
100	PD4100A	90	12	90	11	115	130	14	55	43	55
125	PD4125A	110	16	110	14	140	161	18	55	52	68
160	PD4160A	140	20	130	18	180	205	22	65	62	82
200	PD4200A	175	20	170	18	220	245	22	65	62	92

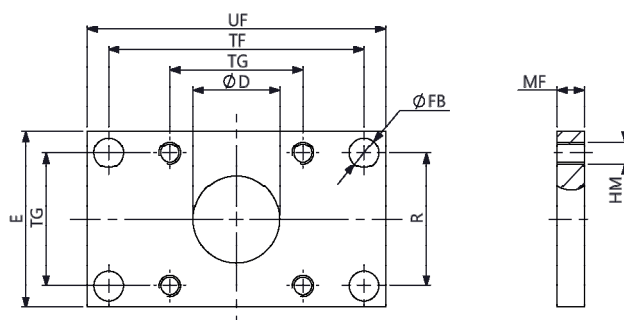
FLANGIA LAMATA CNOMO CNOMO SPOT FACED FLANGE



FL6 S

Ø	COD	TG	ØFB	ØD	ØHB	MF	E	R	TF	UF	ØRB	L4
32	FL6032S	33	9	25	6,5	8	45	33	69	80	10,5	6
40	FL6040S	40	9	32	6,5	8	52	40	78	90	10,5	6
50	FL6050S	49	11	32	9	10	65	49	94	110	13,5	8
63	FL6063S	59	11	45	9	10	75	59	104	120	13,5	8
80	FL6080S	75	14	45	10,5	12	95	75	130	150	16,5	10
100	FL6100S	90	14	55	10,5	12	115	90	150	170	16,5	10
125	FL6125S	110	18	55	13,5	16	140	110	180	205	19	12,5
160	FL6160S	140	22	65	16,5	20	180	140	228	260	24,5	16,5
200	FL6200S	175	22	65	16,5	20	220	175	268	300	24,5	16,5

FLANGIA FILETTATA CNOMO CNOMO THREADED FLANGE



FL7 S

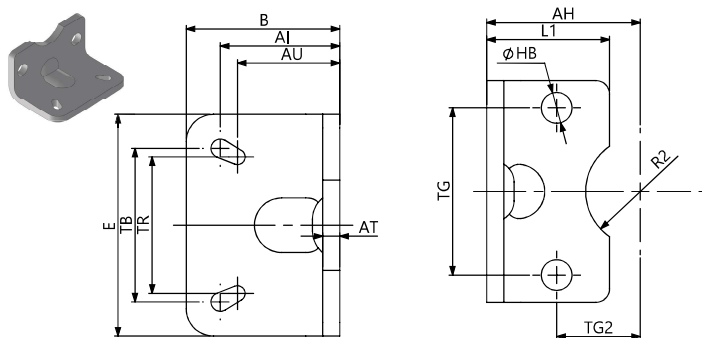
Ø	COD	TG	ØFB	ØD	ØHM	MF	E	R	TF	UF	ØRB	L4
32	FL7032S	33	9	25	M6	8	45	33	68	80	10,5	6
40	FL7040S	40	9	32	M6	8	52	40	78	90	10,5	6
50	FL7050S	49	11	32	M8	10	65	49	94	110	13,5	8
63	FL7063S	59	11	45	M8	10	75	59	104	120	13,5	8
80	FL7080S	75	14	45	M10	12	95	75	130	150	16,5	10
100	FL7100S	90	14	55	M10	12	115	90	150	170	16,5	10
125	FL7125S	110	18	55	M12	16	140	110	180	205	19	12,5
160	FL7160S	140	22	65	M16	20	180	140	228	260	24,5	16,5
200	FL7200S	175	22	65	M16	20	220	175	268	300	24,5	16,5

ACCESSORI CNOMO

CNOMO MOUNTING ACCESSORIES

PIEDINO BASSO CNOMO

CNOMO LOW-RISE PEDESTAL



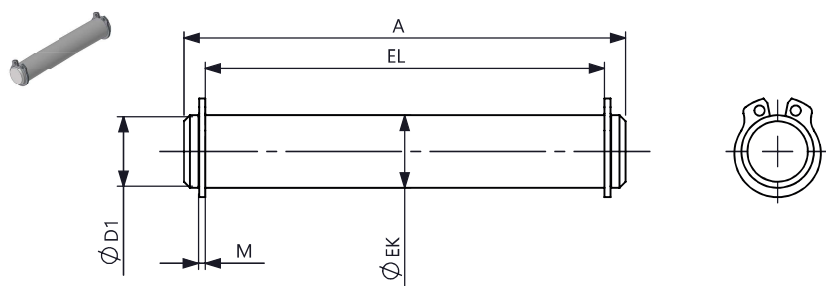
PD3 S



Ø	COD	TB	TR	TG	E	B	L1	ØHB	AU	AI	RZ	AT	AH
32	PD3032S	28	32	33	45	35	30	7	22	27	12,5	4	32
40	PD3040S	36	36	40	52	36	30	7	26	27	16	4	36
50	PD3050S	45	45	49	65	45	36	9	30	35	16	5	45
63	PD3063S	55	50	59	75	45	35	9	30	35	22,5	5	50
80	PD3080S	70	63	75	95	55	45	11	37	43	22,5	6	63
100	PD3100S	90	75	90	115	56	44	11	37,5	43	27,5	6	73
125	PD3125S	100	-	110	140	70	70	14	-	52	27,5	8	91
160	PD3160S	130	-	140	180	75	100	18	-	62	32,5	10	115
200	PD3200S	170	-	175	220	100	100	18	-	62	32,5	12	135

PERNO PER CERNIERA FEMMINA CNOMO

PIN FOR CNOMO FEMALE HINGE



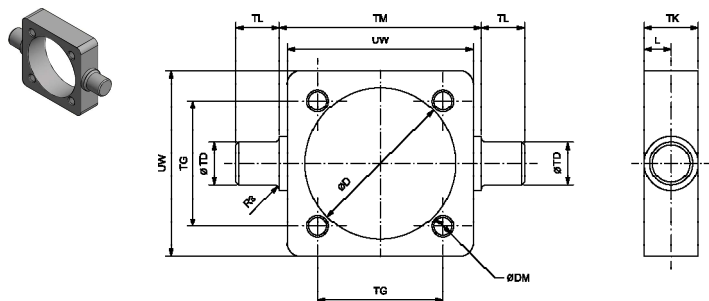
PRB S



Ø	COD	ØD1	EL	ØEK	M	A
32	PRB032S	8	46	7,6	1,1	53
40	PRB040S	12	53	11,5	1,1	60
50	PRB050S	12	66	11,5	1,1	73
63	PRB063S	16	76	15,2	1,1	83
80	PRB080S	16	96	15,2	1,1	103
100	PRB100S	20	117	19	1,3	124
125	PRB125S	20	142	19	1,3	149
160	PRB160S	25	182	23,9	1,3	189
200	PRB200S	25	222	23,9	1,3	229

CERNIERA INTERMEDIA FILETTATA CNOMO CNOMO INTERMEDIATE THREADED HINGE

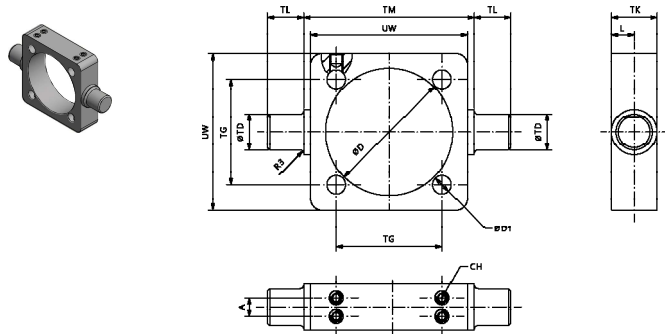
CIB S



Ø	COD	TG	UW	TK	ØTD	TL	TM	ØD	ØDM
32	CIB032S	33	46	15	12	12	50	37	M6
40	CIB040S	40	59	20	16	16	63	49	M6
50	CIB050S	49	69	20	16	16	73	56	M8
63	CIB063S	59	84	25	20	20	90	69	M8
80	CIB080S	75	102	25	20	20	108	87	M10
100	CIB100S	90	125	30	25	25	131	107	M10
125	CIB125S	110	155	32	25	25	160	133,5	M12
160	CIB160S	140	190	40	32	32	200	171	M16
200	CIB200S	175	240	40	32	32	250	211	M16

CERNIERA INTERMEDIA REGOLABILE CNOMO CNOMO INTERMEDIATE ADJUSTABLE HINGE

CIC S



Ø	COD	TG	UW	TK	ØTD	TL	TM	ØD	ØD1	CH
32	CIC032S	33	46	15	12	12	50	37	6,25	M5
40	CIC040S	40	59	20	16	16	63	49	6,25	M5
50	CIC050S	49	69	20	16	16	73	56	8,25	M6
63	CIC063S	59	84	25	20	20	90	69	8,25	M6
80	CIC080S	75	102	25	20	20	108	87	10,25	M8
100	CIC100S	90	125	30	25	25	131	107	10,25	M8
125	CIC125S	110	155	32	25	25	160	133,5	12,25	M10
160	CIC160S	140	190	40	32	32	200	171	16,25	M12
200	CIC200S	175	240	40	32	32	250	211	16,25	M12