

ACCESSORI STELO

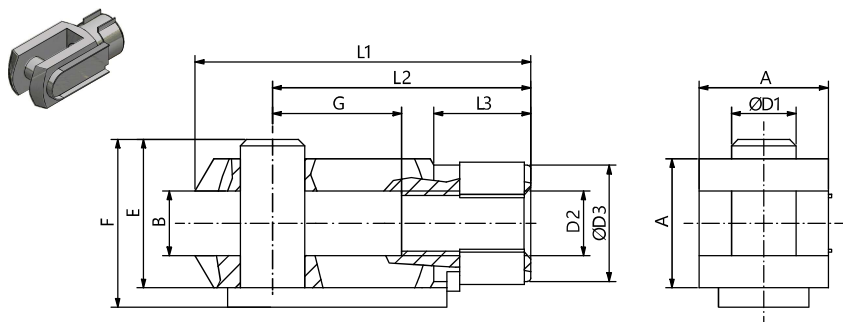
PISTON ROD ACCESSORIES

CHIAVE DI CODIFICA / KEY CODE

Tipologia Type	Filetto Thread	Materiale Material	Fornitura Supply condition	Packaging Packaging
FFC	10150	S	0	S
FFC Forcella con clip <i>Clevis with clip</i>	04070 M4X07	S Acciaio zincato <i>Zinc coated steel</i>	0 Standard <i>Standard</i>	S Pacchetto singolo <i>Single bag</i>
FFP Forcella con pin <i>Clevis with pin</i>	06100 M6X1			B Componenti sciolti <i>Bulk</i>
TSN Testa a snodo <i>Rod end</i>	08125 M8X1,25			
GAA Snodo autoall. <i>Self-align. joint</i>	08150 M8X1,50			
DES Dado esagonale stelo <i>Hexagonal piston rod nut</i>	10125 M10X1,25			
DET Dado esagonale testata <i>Hexagonal cover nut</i>	10150 M10X1,50			
GHI Ghiera testata <i>Cover slotted nut</i>	12125 M12X1,25			
FFA Forcella femmina CNOMO <i>CNOMO female clevis</i>	12175 M12X1,75			
FFB Forcella femmina CNOMO <i>CNOMO female clevis</i>	16150 M16X1,50			
FFM Forcella maschio CNOMO <i>CNOMO male clevis</i>	16200 M16X2			
	20150 M20X1,50			
	27200 M27X2			
	36200 M36X2			
	42200 M42X2			
	48200 M48X2			

FORCELLA FEMMINA CON CLIP FEMALE CLEVIS WITH CLIP

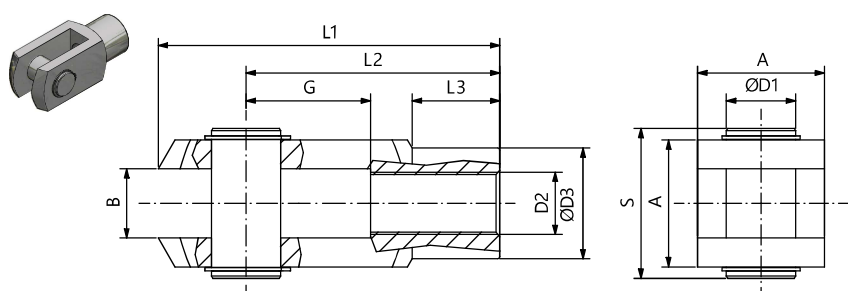
FFC S



Ø	COD	D2	B	L2	G	L3	A	ØD1	ØD3	L1	F	E
08 - 10	FFC04070S	M4X0,7	4	16	8	6	8	4	8	21	11	9
12 - 16	FFC06100S	M6X1	6	24	12	9	12	6	10	31	16	14
20	FFC08125S	M8X1,25	8	32	16	12	16	8	14	42	22	19
25 - 32	FFC10125S	M10X1,25	10	40	20	15	20	10	18	52	26	23
32	FFC10150S	M10X1,5	10	40	20	15	20	10	18	52	26	23
40	FFC12125S	M12X1,25	12	48	24	18	24	12	20	62	32	28
40	FFC12175S	M12X1,75	12	48	24	18	24	12	20	62	32	28
50 - 63	FFC16150S	M16X1,5	16	64	32	24	32	16	26	83	40	36
50 - 63	FFC16200S	M16X2	16	64	32	24	32	16	26	83	40	36
80-100	FFC20150S	M20X1,5	20	80	40	30	40	20	34	105	49	44

FORCELLA FEMMINA CON PERNO FEMALE CLEVIS WITH PIN

FFP S

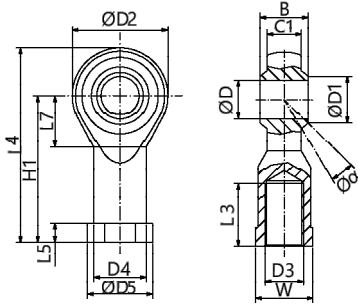


Ø	COD	D2	B	A	ØD1	S	G	L2	L1	L3	ØD3
125	FFP27200S	M27X2	30	55	30	65	54	110	148	38	48
160-200	FFP36200S	M36X2	35	70	35	84	72	144	188	40	60
250	FFP42200S	M42X2	40	85	40	104,3	84	168	232	63,5	70
320	FFP48200S	M48X2	50	96	50	117,3	96	192	265	73	82

ACCESSORI STELO

PISTON ROD ACCESSORIES

TESTA A SNODO ROD END

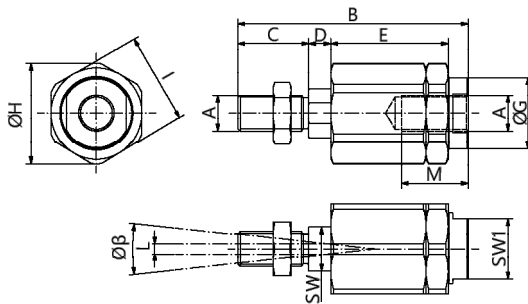
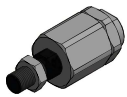


TSN S



Ø	COD	D3	L3	α°	ØD	ØD1	C1	B	ØD4	ØD5	L5	L7	H1	L4	ØD2
08 - 10	TSN04070S	M4X0,7	10	13°	5	7,7	6	8	9	11	4	10	27	36	18
12 - 16	TSN06100S	M6X1	12	13°	6	8,9	6,75	9	10	13	5	11	30	40	20
20	TSN08125S	M8X1,25	16	14°	8	10,4	9	12	12,5	16	5	13	36	48	24
25 - 32	TSN10125S	M10X1,25	20	13°	10	12,9	10,5	14	15	19	6,5	15	43	57	28
32	TSN10150S	M10X1,5	20	13°	10	12,9	10,5	14	15	19	6,5	15	43	57	28
40	TSN12125S	M12X1,25	22	13°	12	15,4	12	16	17,5	22	6,5	17	50	66	32
40	TSN12175S	M12X1,75	22	13°	12	15,4	12	16	17,5	22	6,5	17	50	66	32
50 - 63	TSN16150S	M16X1,5	28	15°	16	19,3	15	21	22	27	8	23	64	85	42
50 - 63	TSN16200S	M16X2	28	15°	16	19,3	15	21	22	27	8	23	64	85	42
80-100	TSN20150S	M20X1,5	33	14°	20	24,3	18	25	27,5	34	10	27	77	102	50
125	TSN27200S	M27X2	51	17°	30	34,8	25	37	40	50	15	36	110	145	70
160-200	TSN36200S	M36X2	56	19°	35	37,7	28	43	46	58	17	41	125	165	80
250	TSN42200S	M42X2	60	16°	40	45,1	33	49	53	65	19	45	142	187	91
320	TSN48200S	M48X2	65	14°	50	56,6	45	60	65	75	23	58	160	218	117

SNODO AUTOALLINEANTE SELF-ALIGNING JOINT



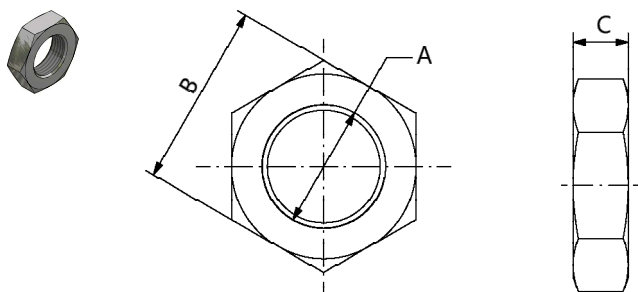
GAA S



Ø	COD	A	B	C	D	E	SW	ØG	ØH	I	L	M	α
12 - 16	GAA06100S	M6X1	36,5	11	3,5	18,5	6	8,5	14,5	13	1	12,5	6°
20	GAA08125S	M8X1,25	58	21	4	28,5	8	12,5	19	17	2	16	8°
25 - 32	GAA10125S	M10X1,25	74,5	23	6,5	36	14	22	32	30	2	22	8°
32	GAA10150S	M10X1,5	74,5	23	6,5	36	14	22	32	30	2	22	8°
40	GAA12125S	M12X1,25	75	24	6,5	36	14	22	32	30	2	22	8°
40	GAA12175S	M12X1,75	75	24	6,5	36	14	22	32	30	2	22	9°
50 - 63	GAA16150S	M16X1,5	103	30	10	53	22	32	45	41	2	30	6°
80-100	GAA20150S	M20X1,5	119	40	6,5	53	22	32	45	41	2	37	6°

DADO ESAGONALE STELO HEXAGONAL PISTON ROD NUT

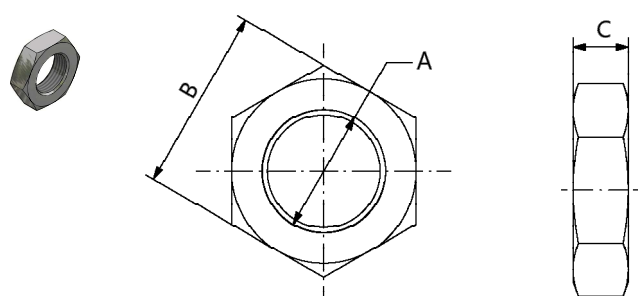
DES S



Ø	COD	A	C	B
08 - 10	DES04070S	M4X0,7	3,2	7
12 - 16	DES06100S	M6X1	4	10
20	DES08125S	M8X1,25	5	13
25 - 32	DES10125S	M10X1,25	6	17
32	DES10150S	M10X1,5	6	17
40	DES12125S	M12X1,25	7	19
40	DES12175S	M12X1,75	7	19
50-63	DES16150S	M16X1,5	8	24
50-63	DES16200S	M16X2	8	24
80-100	DES20150S	M20X1,5	9	30
125	DES27200S	M27X2	12	41
160-200	DES36200S	M36X2	14	55
250	DES42200S	M42X2	16	65
320	DES48200S	M48X2	18	75

DADO ESAGONALE TESTATA HEXAGONAL COVER NUT

DET S

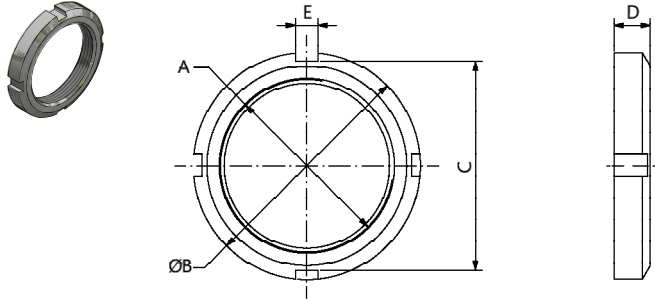


Ø	COD	A	C	B
08 - 10	DET12125S	M12X1,25	5	19
12 - 16	DET16150S	M16X1,5	5	22
20 - 25	DET22150S	M22X1,5	8	27

ACCESSORI STELO

PISTON ROD ACCESSORIES

GHIERA TESTATA COVER SLOTTED NUT



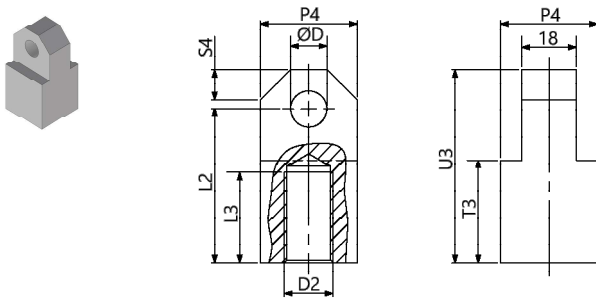
GHI S



Ø	COD	A	ØB	C	D	E
32	GHI30150S	M30X1,5	45	40	7	5
40	GHI38150S	M38X1,5	50	46	8	5
50 - 63	GHI45150S	M45X1,5	58	52	9	6

FORCELLA MASCHIO CNOMO CNOMO MALE CLEVIS

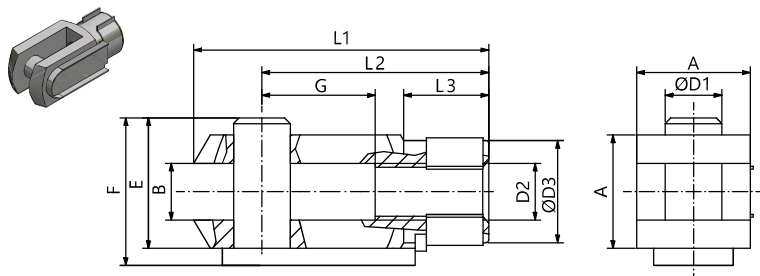
FFM S



Ø	COD	D2	L3	M3	P4	ØD	S4	T3	U3	L2
25 - 32	FFM10150S	M10X1,5	20	11	22	8	6	25	45	36
40 - 50	FFM16150S	M16X1,5	30	18	32	12	10	34	64	51
63 - 80	FFM20150S	M20X1,5	36	22	36	16	12	41	80	63
100 - 125	FFM27200S	M27X2	50	30	45	20	17,5	58	105	85
160 -200	FFM36200S	M36X2	70	40	63	25	20	81	140	115

FORCELLA FEMMINA CON CLIP CNOMO CNOMO FEMALE CLEVIS WITH CLIP

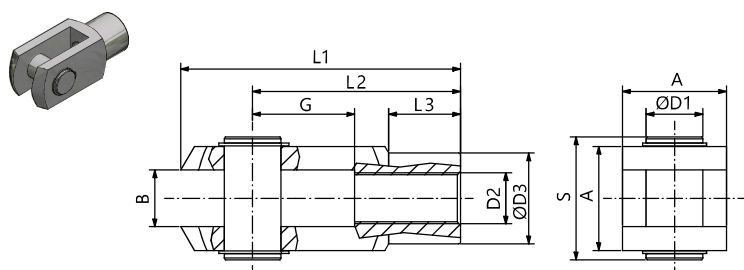
FFA S



Ø	COD	D2	F	ØD3	E	L2	B	ØD1	A1	A2	L1	L3	G
25 - 32	FFA10150S	M10X1,5	28	18	25	36	11	8	22	22	45	14	16
40 - 50	FFA16150S	M16X1,5	44	26	40	51	18	12	36	26	64	17	25
63 - 80	FFA20150S	M20X1,5	53	34	49	63	22	16	45	34	80	18,5	33
100 - 125	FFA27200S	M27X2	73	42	69	85	30	20	63	42	105	30	40
160 - 200	FFA36200S	M36X2	-	50	-	115	40	25	80	50	140	45	-

FORCELLA FEMMINA CON PERNO CNOMO CNOMO FEMALE CLEVIS WITH PIN

FFB S



Ø	COD	A	C	B
08 - 10	DET12125S	M12X1,25	5	19
12 - 16	DET16150S	M16X1,5	5	22
20 - 25	DET22150S	M22X1,5	8	27